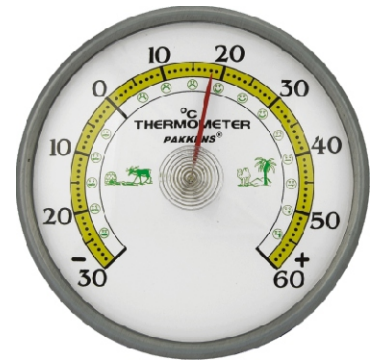


BI-METALLIC THERMOMETERS
WALL THERMOMETERS Ø 100

13.81

CONSTRUCTIVE PROPERTIES

	STANDARD	OPTIONAL
Mounting Type	Back Connection	-
Scale Unit	°C	°C
Scale Range	- 30 ... + 60	- 20 ... + 40
Case	Plastic	-
Ring	Aluminum	-
Window	Acrylic	-
Pointer	Plastic	-
Dial	Aluminum	-
Temperature Element	Bi - Metal	-

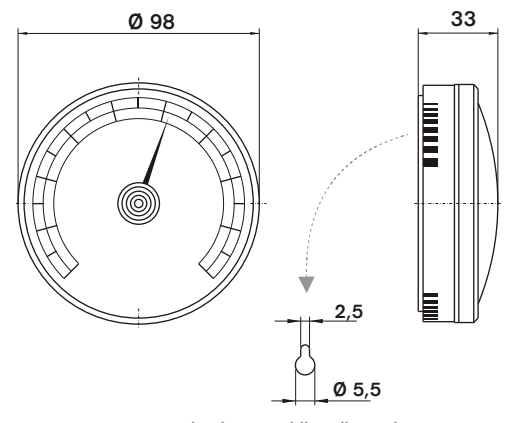


USAGE PROPERTIES

Max. Pressure	-
Accuracy Class	CL 2.0
Conformity	EN 13190
Protection Rate	IP 40
Storage Temperature	- 20 ... + 60 °C

Applications : Used for seeing the ambient temperature.

(*) Scale units different than listed, please contact us.



back assembling dimensions

Model No : 100 400 0001

gr.
57

BI-METALLIC THERMOMETERS

HYGROMETER Ø 100

13.82

CONSTRUCTIVE PROPERTIES

	STANDARD	OPTIONAL
Mounting Type	Back Connection	
Scale Unit	% Relative Humidity	-
Scale Range	100 %	-
Case	Plastic	-
Ring	Aluminum	-
Window	Acrylic	-
Pointer	Aluminum	-
Dial	Aluminum	-
Temperature Element	Bi - Metal	-

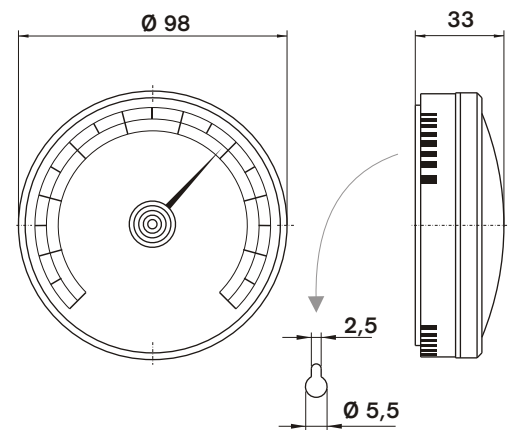


USAGE PROPERTIES

Max. Pressure	-
Accuracy Class	CL 4.0
Conformity	EN 13190
Protection Rate	IP 40
Storage Temperature	- 20 ... + 60 °C

Applications : Used for measuring relative humidity in an enviroment.
(For example : in textile)

(*) Scale units different than listed, please contact us.



back assembling dimensions

Model No : 100 480 0099

**gr.
61**